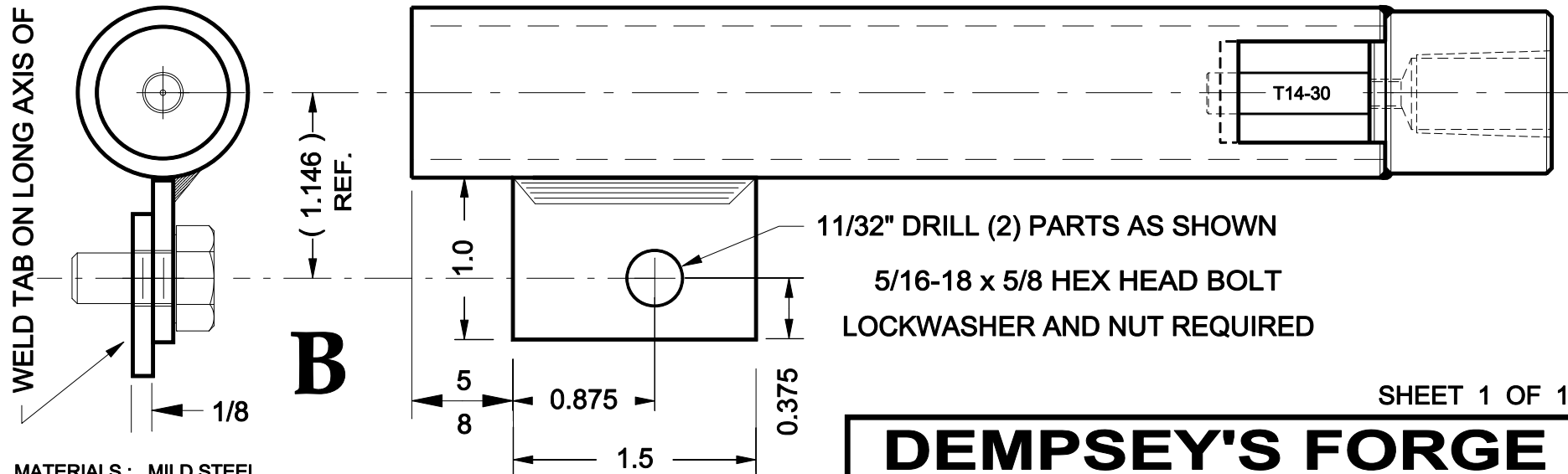


TWO BURNER MOUNTING METHODS



MATERIALS : MILD STEEL
 FINISH : HIGH TEMPERATURE BLACK
 QUANTITY : AS NEEDED
 DEBURR OR ROUND ALL SHARP CORNERS
 ALL DIMENSIONS IN INCHES
 DECIMAL DIMENSIONS +/- .005" FRACTIONS +/- 1/64 EXCEPT AS NOTED

DEMPSEY'S FORGE	
DATE	TITLE
7-1-2015	af BB-75 Customer Mods
SCALE	Copyright © 2015 Jock Dempsey, anvilfire.com
~ FULL	Nº : A - 500 - 1 - 1